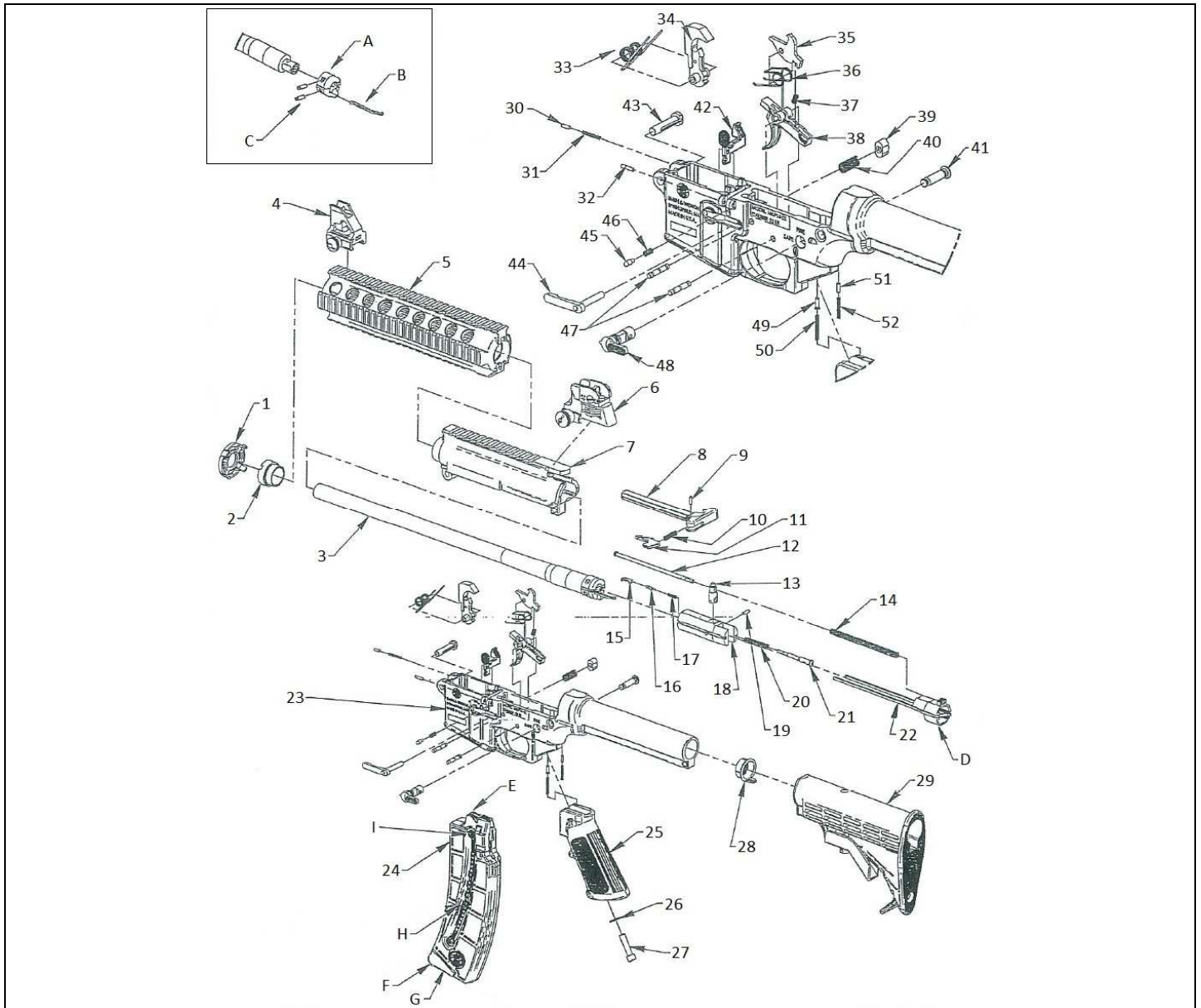







# RICAMBI SMITH & WESSON M&P 15-22



N° DESCRIZIONE	VARIANTE	CODICE	FOTO	PREZZO
1 Barrel Support		404540000		13,00
2 Barrel Nut		404550000 431470000		48,00
8 Charging Handle		404700000		19,00
11 = AR15 #46 Charging Handle Latch		404710000		13,00
10 = AR15 #46 Charging Handle Latch Spring		404730000		9,70
12 Recoil Spring Guide		404800000		14,00

13 Recoil Spring Lug	404810000		14,00
14 Recoil Spring	407790000		12,00
20 Firing Pin Spring	404770000		5,00
21 Firing Pin	408170000 404760000		39,00
31 = 52 = AR15 #23 Pivot Pin Spring	404480000		11,00
33 Hammer Spring	404460000		11,00
35 = AR15 #49 Disconnecter	400590000		21,00
36 = AR15 #50 Trigger Spring	400580000		11,00
37 Disconnecter Spring	404450000		10,60
40 = AR15 #26 Magazine Catch Spring	400540000		11,00 <b>ESAURITO</b>
43 = AR15 #25 Pivot Pin	400400000		18,00
45 = AR15 #19 Bolt Catch Plunger	400340000		11,00
46 = AR15 #20 Bolt Catch Spring	400350000		11,00
48 Safety Selector	404440000		37,00
49 Safety Detent	406330000		9,90
52 = 31 = AR15 #32 Takedown Pin Spring	404480000		11,00
B Ejector	404570000		19,00
D Bolt Buffer	404840000		15,00
E Magazine Follower Orange	404890000		14,00
G Magazine Buttplate Catch	404910000		10,00
H Magazine Spring	404920000		15,00
I Magazine Thumb Button	404930000		10,00
NN Magazine	199220000		46,00

