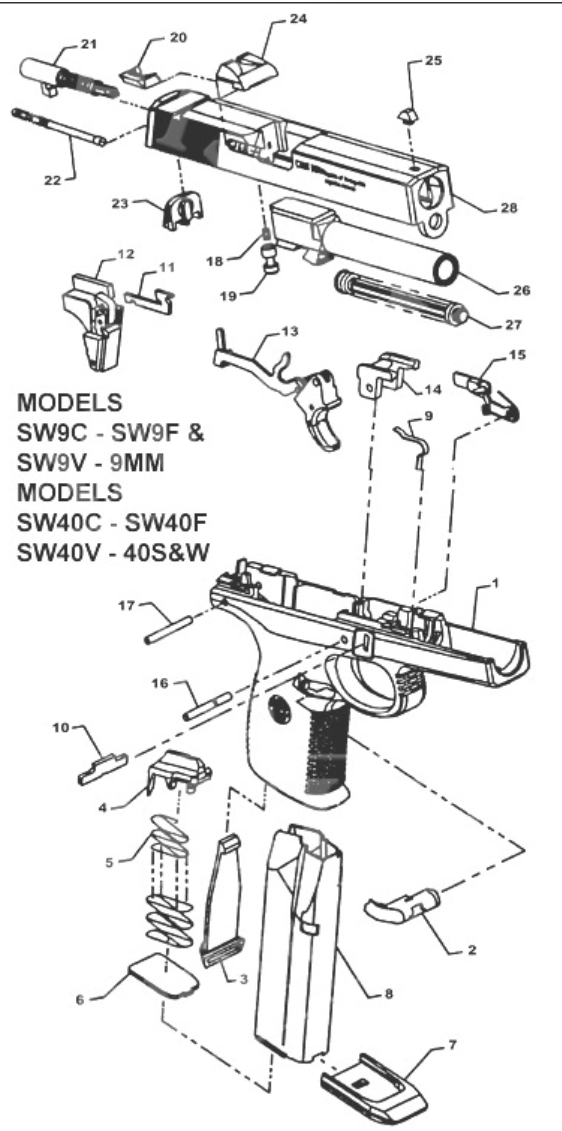
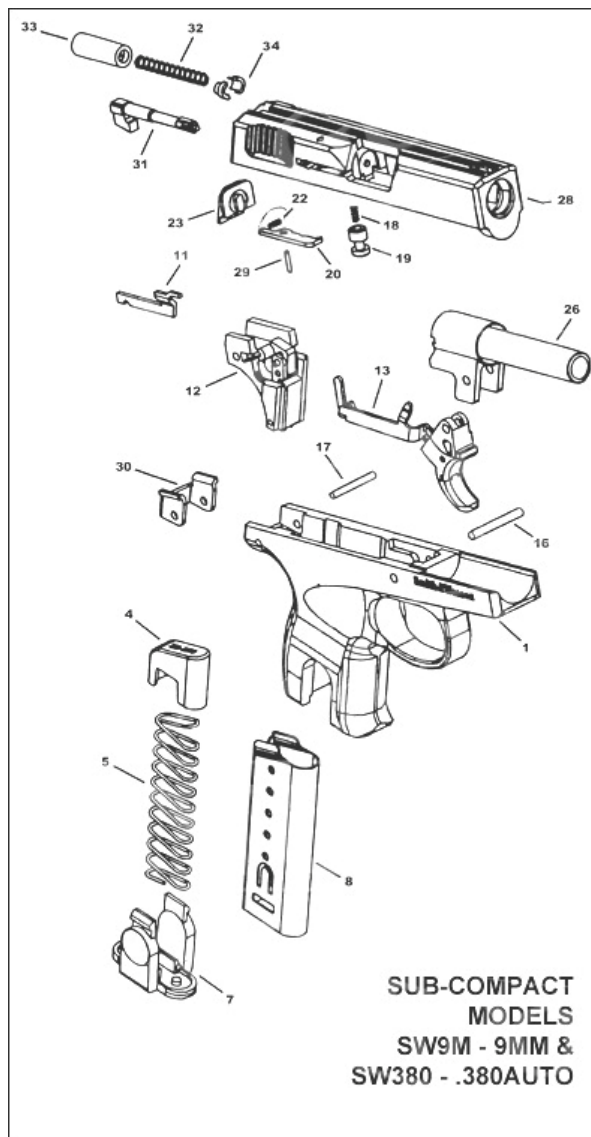


# RICAMBI SMITH & WESSON Sigma Series



N°	DESCRIZIONE	VARIANTE	CODICE	FOTO	PREZZO
7	Magazine Butt Plate	Cal.40 SW 10 e 14 colpi	250830000		13,00
10	Barrel Stop		250490000		15,50
12	Sear Housing Block Assembly		250820000		75,00
13	Trigger Assembly		250810000		49,00
14	Locking Block	SW9F SW40F	250070000		52,00
15	Slide Stop Lever Assembly		250650000		23,40
16	Trigger Pin		250340000		7,00
17	Sear Housing Block Assembly Pin		250570000		6,20

18	Striker Safety Plunger Spring		250330000		<b>6,00</b>
19	Striker Safety Plunger		250360000		<b>10,50</b>
20	Extractor	SW380	255170000		<b>44,00</b>
22	Extractor Spring Assembly		250800000		<b>18,20</b>
23	Slide End Cap Assembly		250840000		<b>16,00</b>
24	Rear Sight Assembly		251010000		<b>21,30</b>
	Rear Night Sight		251870000		<b>135,00</b>
25	Front Sight	1 Line, .190"	251110000		<b>16,70</b>
		4 Line .145"	251090000		
32	Striker Spring		250430000		<b>6,00</b>
33	Striker Guide		250280000		<b>5,50</b>
34	Spring Keeper		250290000		<b>3,80</b>